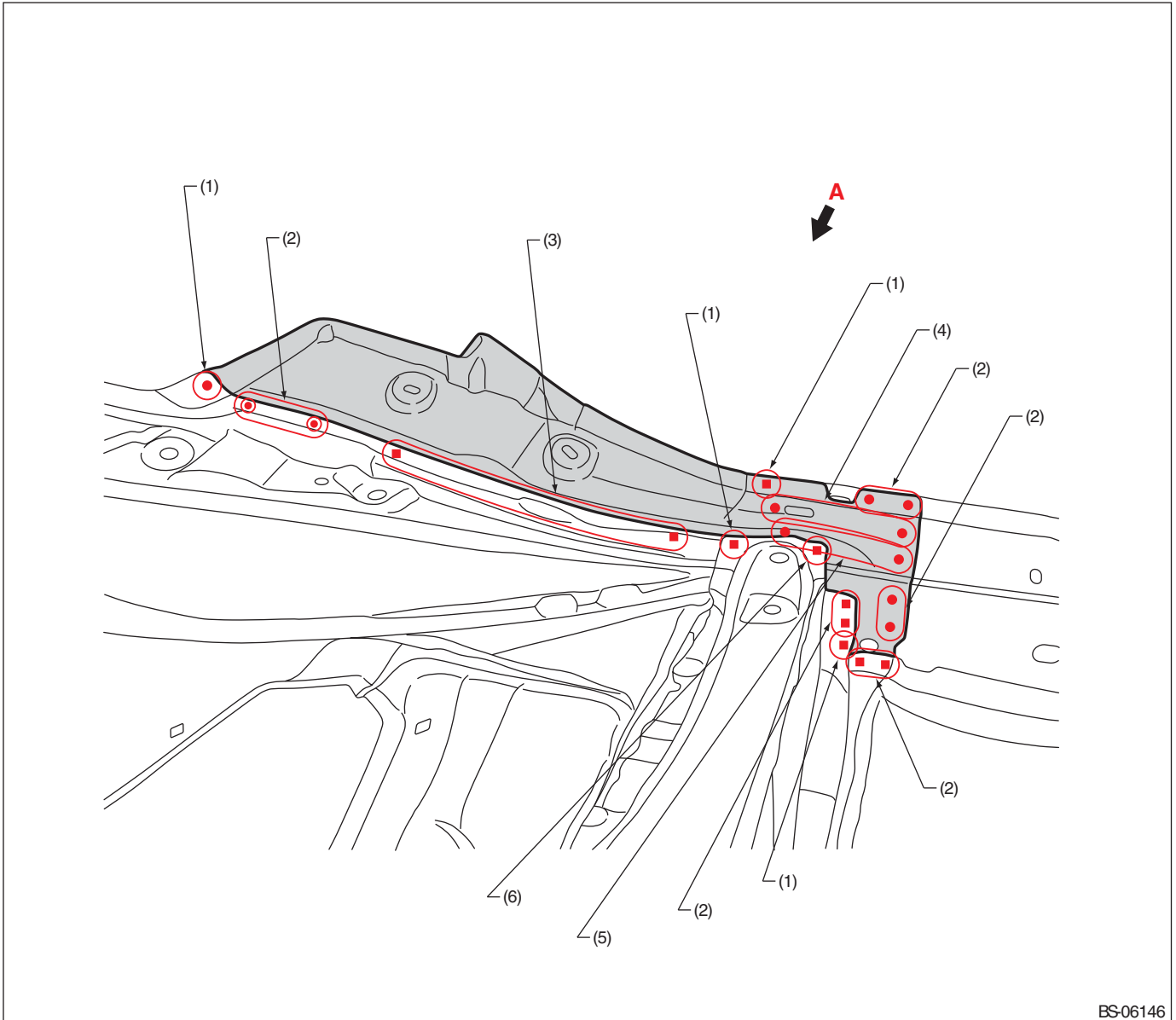


# Panel Replacement

## B: INSTALLATION

### • Overall view



BS06146

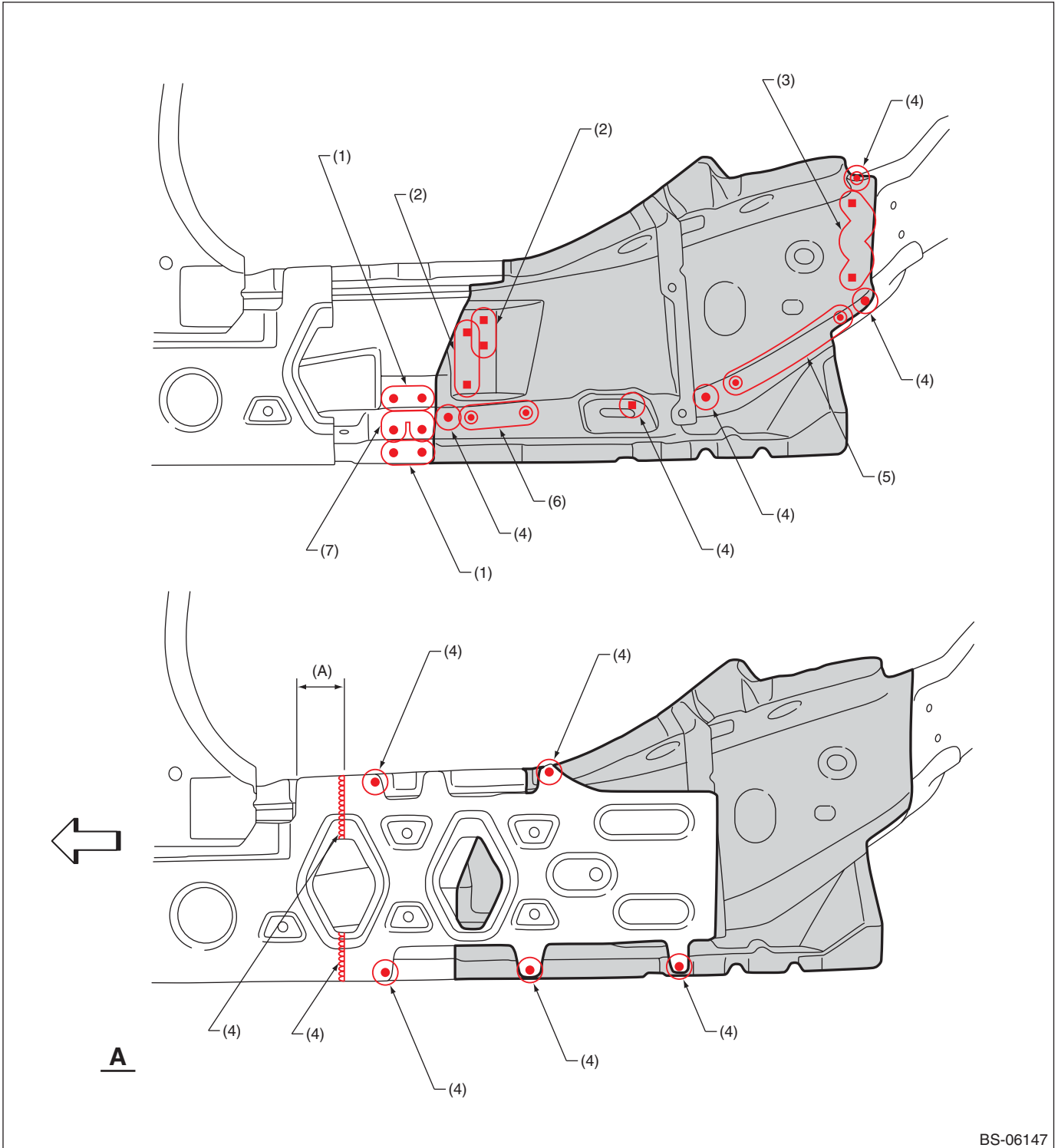
(1) 1 point  
(2) 2 points

(3) 6 points  
(4) 4 points

(5) 3 points  
(6) 1 point (service · matching)

# Panel Replacement

## • Views



BS-06147

(A) 40 mm (1.57 in)

(1) 2 points

(2) 2 points (service)

(3) 5 points (service)

(4) 1 point

(5) 5 points

(6) 3 points

(7) 4 points